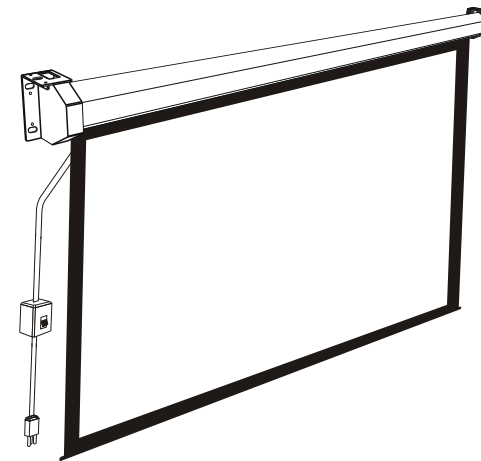


Instruction Manual for Elegant Series Motorized Screen

GRANDVIEW®
GRANDVIEW REPRODUCING GENUINE COLORS



Model: EL-Mxx

Grandview Crystal Screen Canada Ltd.

#11- 3751 North Fraser Way,
Marine Way Business Centre,
Burnaby, BC, Canada V5J 5G4
Tel: 1-604-412-9777 Fax: 1-604-412-9796
Website: www.grandviewscreen.ca

Guangzhou Grandview Crystal Screen Co., Ltd.

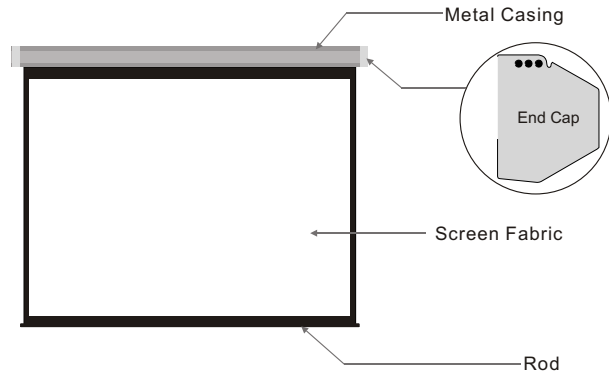
P.O. 511400 Federal Ind. Zone No. 363, Yushan West Road,
Shiqiao, Panyu District, Guangzhou, Guangdong, China
Tel: +8620-8489-9499 Fax: +8620-8480-3343
Website: www.grandviewscreen.com



Thank you for purchasing a Grandview projection screen.

Before use, please read instructions carefully. After installation, store instructions for future reference.

Description



Accessories

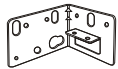
- $\phi 5$ Allen Key (1pc)



- Instruction Manual (1pc)

Optional

- C1 Mounting Bracket for screen sizes up to 150" (2pcs)



- C2 Mounting Bracket for screen sizes larger than 150" (2pcs)



- $\phi 10 \times 30$ mmscrew and anchor (4pcs)



- $\phi 5 \times 40$ mm Tapping screw & cap (8sets)



Elegant Motorized Screen Power Specifications

Voltage (V)	Frequency (Hz)	Watts (W)	Application
230V/120V/100V	50Hz/60Hz	90W/80W	Applies up to 150" Elegant series
230V/120V/100V	50Hz/60Hz	160W/156W	Applies to 180" and up Elegantseries

Warnings

- The ceiling or wall used for fixture installation must be secure to prevent the screens from falling.
- While installing electrical motors, please hire professionals or your local dealer to ensure safety. A misconnection may lead to fire or leaks.
- Keep all infrared wireless products away from fluorescent lighting as it may cause malfunctions.
- Please read the following as any damage to the screen surface will affect the quality of the picture:
 1. Avoid contact or touching the screen surface as it may cause scratches or tears.
 2. Do not write or draw on the surface
 3. Clean the screen with a soft cloth and luke warm water. Do not use any detergent or cleaning products.
- Roll up the screen after every use. Ensure that the screen is level when installing; do not pull on the sides or fold the screen.
- To prevent unnecessary damage, the operating and maintenance of the screen should be done by adults.



Ignoring the safety warnings may lead to injuries and/or damaging the product.



Fixtures should be installed in a secure place to avoid accidents or the screen falling.



Do not connect any electrical attachments or remote controls.



Roll up the screen after every use. Leaving it hanging for a long period of time may cause the fabric to loosen.



Please contact your local dealer for repairs or maintenance. Please contact our company if you have any further questions. Avoid taking apart the fixtures yourself. Loose parts may cause the screen to fall.



Refrain from hanging anything on the screen as it may cause the screen to fall.

Do not take apart and replace with unknown parts. If there are any problems, please contact your local dealer. Product specifications are subject to change.

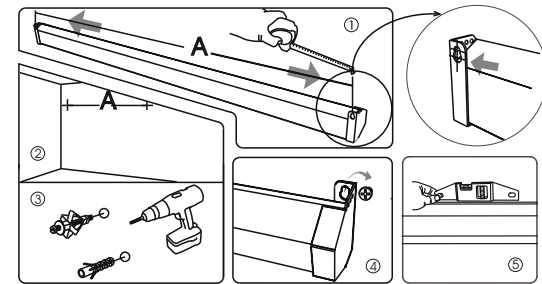
Installation

This projection screen should be installed at the best possible viewing position for the audience. Take out all the parts from the packaging and follow the accessories guideline to ensure you have all parts. The parts needed will vary depending on which installation you choose to use. For installation on a wood wall or ceiling, use the $\phi 5 \times 40$ screws. For installation on a drywall, use the $\phi 10 \times 30$ screws with anchors.

Installation without bracket

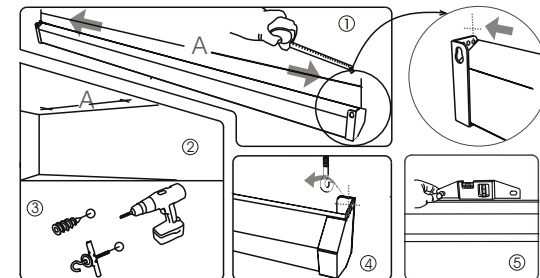
Wall Mount

Using a tape measure, measure the distance between the two keyholes on the casing (Figure 1). According to the measurement, use the drill to drill identical holes of the appropriate size (use a smaller drill bit than the actual screws) on the wall and ensure that it is level (Figure 2 and 3). Screw in the appropriate screws, either the $\phi 5 \times 40$ for wood walls or the $\phi 10 \times 30$ plus anchors for drywalls, leaving enough space at the end to hang the casing (Figure 4). To ensure that the screen is level, use a leveler to check (Figure 5).

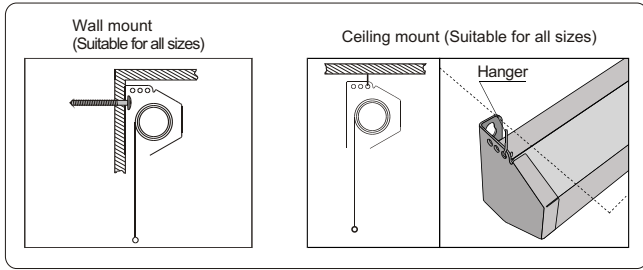


Ceiling Mount

Using a tape measure, measure the distance between the two rings for hanging on the casing (Figure 1). According to the measurement, use the drill to drill identical holes of the appropriate size (use a smaller drill bit than the actual hook screws) on the ceiling and ensure that it is level (Figure 2 and 3). Screw in the hook screws (not provided), and lift the screen into the hooks screws to hang (Figure 4). To ensure that the screen is level, use a leveler to check (Figure 5).



Without mounting bracket installation



Instructions

Grandview projection screens are controlled by a manual switch or an automatic remote control.

1. Manual switch control

- a. Tear off the glue cloth fixed on the bottom rod, ensure the bottom rod is not stuck by the casing.
- b. Connect to a power source (Please make sure it is the right voltage)
- c. Turn the switch to position 2 to lower the screen; it will come down slowly. When it is all the way down, it will stop automatically.
- d. Turn the switch to position 1 to retract the screen; it will go up into the metal casing. When it is all the way up, it will stop automatically.
- e. To stop any time while the screen is in motion, turn the switch to 0.

3

Bracket Installation

To ensure extra durability and safety installation brackets have been included. The necessity of brackets will vary depending on the location of installation. For installations of sizes up to 150", use the C1 bracket. For installations of over 150", use C2.

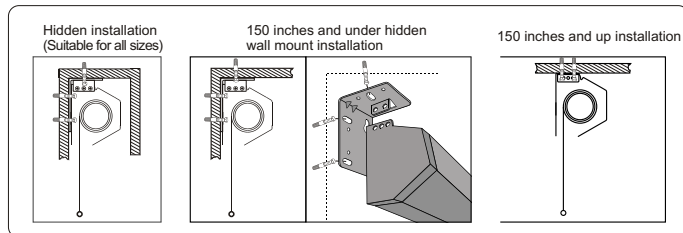
Installation For Sizes Up to 150"

The screen can be installed either on the wall or with a hidden installation. The wall installation uses 2 holes on the C1 brackets while the hidden installation uses all 3. Measure the distance between the holes that will be used on the left and right brackets. Using the measured distance, drill the appropriate holes in the wall (and ceiling if necessary). Install the brackets, then lift and match up the screen's end caps to the brackets. Insert the two screws to join the bracket and screen casing for both sides.

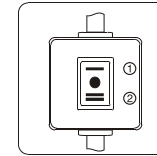
Installation For Sizes Over 150"

Using the C2 brackets, the screen can be installed from the ceiling. Measure the distance between the holes on the left and right brackets. Using the measured distance, drill the appropriate holes in the ceiling. Install the brackets, then lift and match up the screen's end caps to the brackets. Insert the screws to join the bracket and screen casing for both sides.

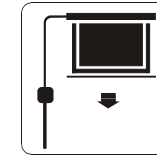
With mounting bracket installation (Optional)



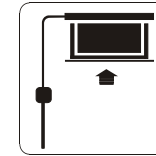
4



Picture 1



Picture 2



Picture 3

2. Automatic remote control (Please see section on Remote Control)

Attention:

- > Please make sure there is no dust or dirt on the fabric surface before rolling it back to the casing
- > The recommended working time is less than 50 seconds. The motor will enter overheating protection status and stop working for every continuous 4 minutes operation, user would need to wait for a while until the motor cool down before operating again.
- > There is no lube needed for the motor. Please be noticed that the appropriate setting is optimized which requires no further adjustment, please consult the after sales team before adjusting the limits.

